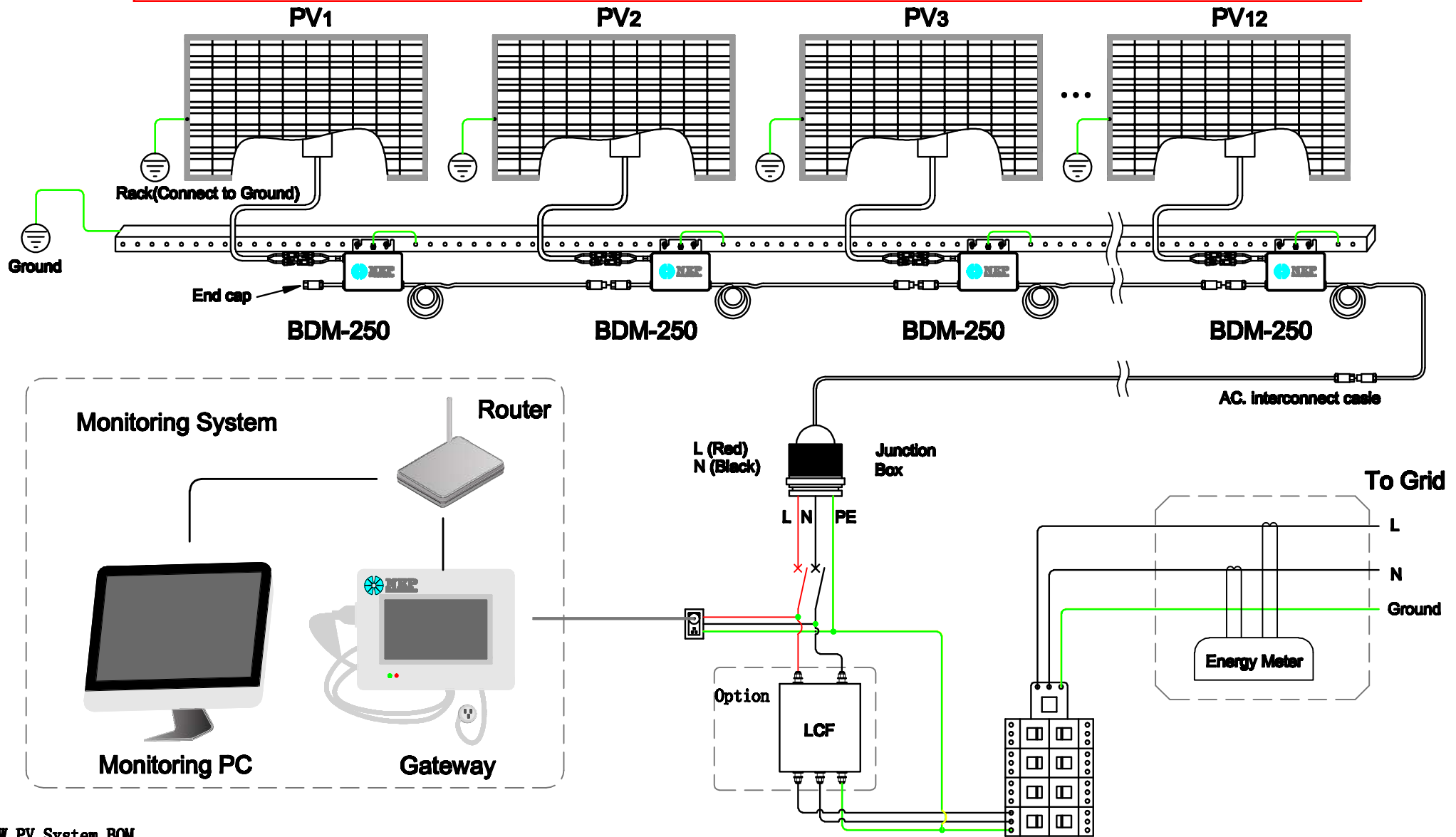


BDM-250 Wiring Diagram, Single phase for Australia

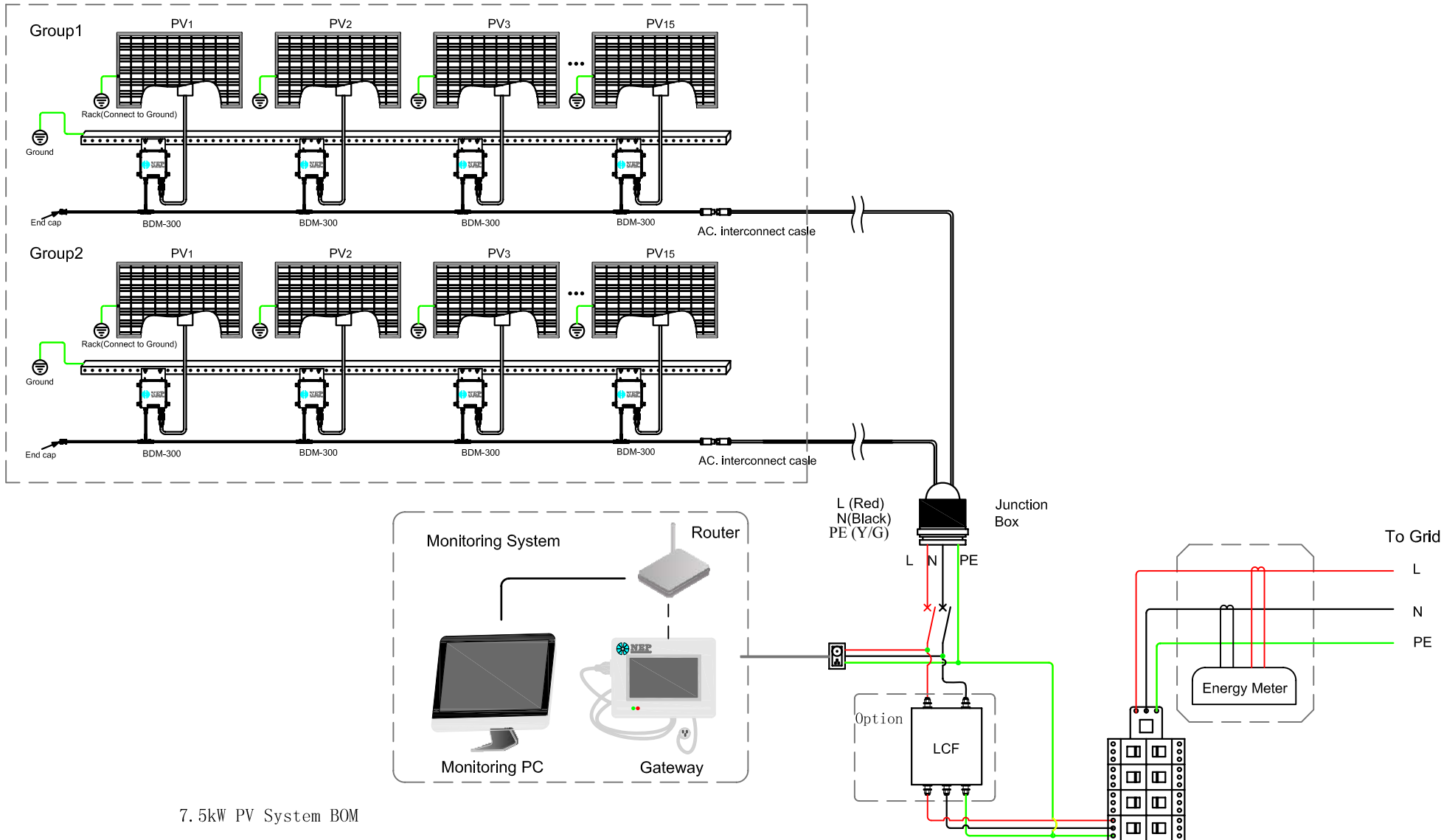


3kW PV System BOM

Specification	Description	Quantity
250W PV module	PV PANELS	12
BDM-250-240A	250W Micro Inverter w/ attached AC cables and accessories	12
BDG-256	Communication Gateway w/ BDG-256-PC-NA power cord	1
LCF(Line Communications Filter)		option
AC interconnect cable	16 feet AC cable w/ female connector	1
End cap	male end cap	1

Quantity:		Material:			
Designed by:	Checked by:	Approved by:	Date:	Edition:	Scale:
NEP <small>NORTHERN ELECTRIC</small>			Title: 3kW PV System(AU)		
Drawing number:				Sheet 1 of 1	

BDM-300 Wiring Diagram, Single phase for Australia

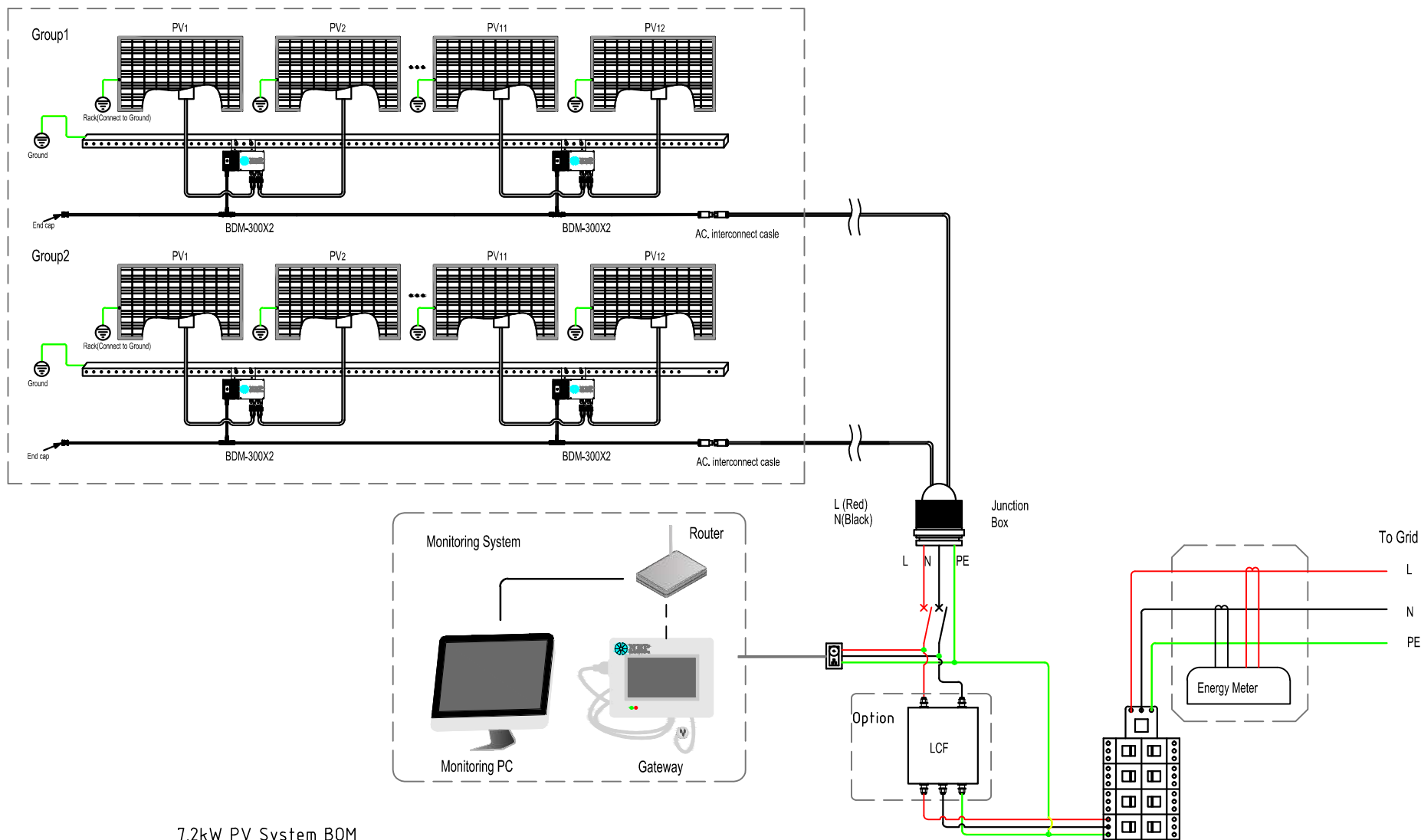


7.5kW PV System BOM

Specification	Description	Quantity
PV module	PV PANELS (300W)	30
BDM-300	Micro Inverter w/integrated grounding	30
BDG-256	Communication Gateway w/BDG-256-PC-NA power cord	1
LCF (Line Communications Filter)		option
Trunk cable drops	12AWG	30
Male Connector		2
AC interconnect cable	16 feet AC cable w/ female connector	2
End cap	male end cap w/female connector	2

Quantity:		Material:			
Designed by:	Checked by:	Approved by:	Date:	Edition:	Scale:
			Title: 9.0 kW PV System (AU)		
Drawing number:				Sheet 1 of 1	

BDM-600 Wiring Diagram, Single phase for Australia

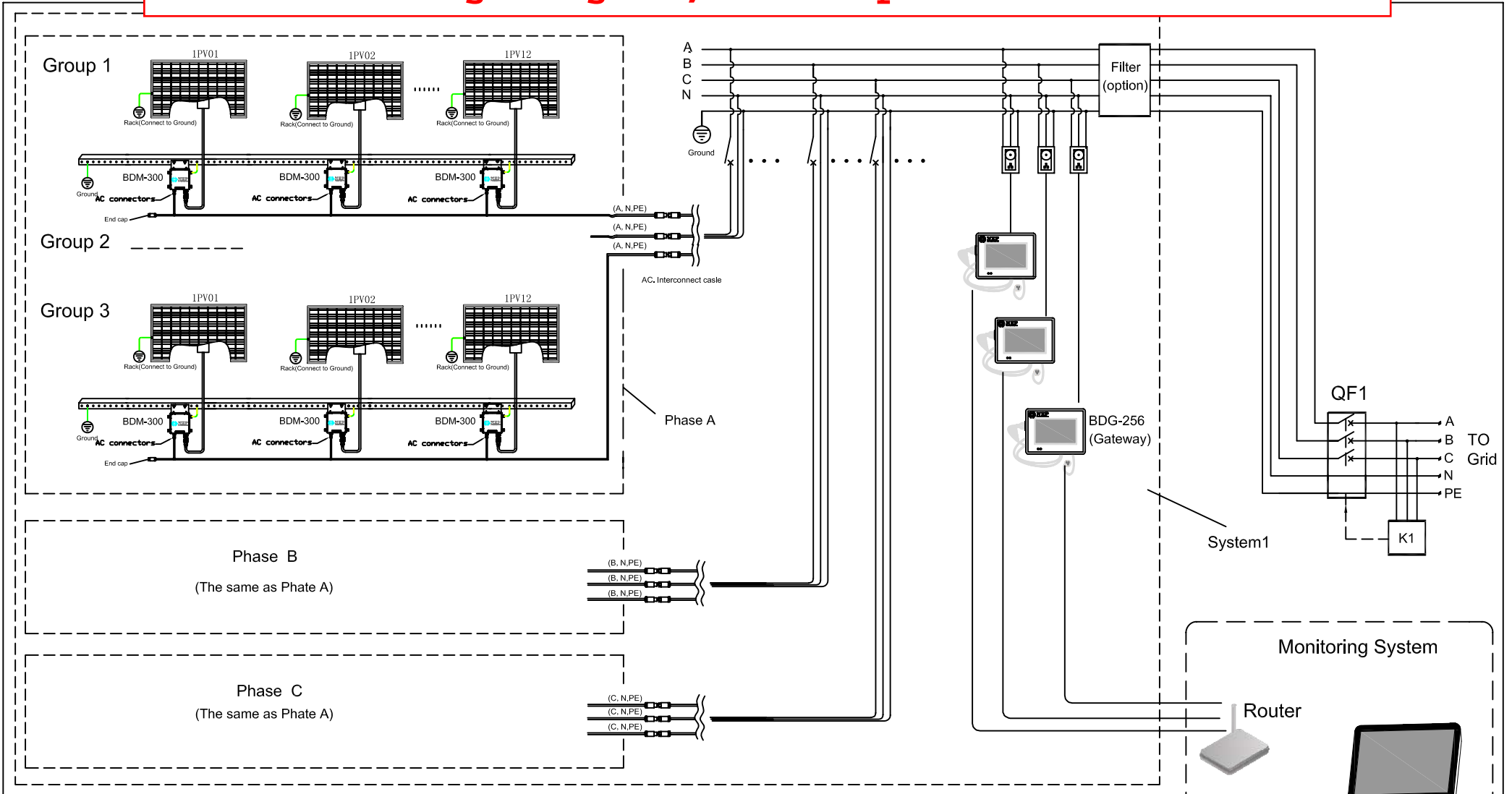


7.2kW PV System BDM

Specification	Description	Quantity
300W PV module	PV PANELS	24
BDM-300X2	Dual Input Micro Inverter	12
BDG-256	Communication Gateway	1
LCF (Line Communications Filter)		option
Trunk cable drops	2m or 4m separate	12
Female Connector	2	
AC interconnect cable	16 feet AC cable w/ female connector	2
End cap	male end cap w/female connector	2

Quantity:		Material:			
Designed by:	Checked by:	Approved by:	Date:	Edition:	Scale:
			Title: 7.5kW PV System (AU)		
Drawing number:				Sheet 1 of 1	

BDM-300 Wiring Diagram, Three phase for Australia



Phase B
(The same as Phate A)

Phase C
(The same as Phate A)

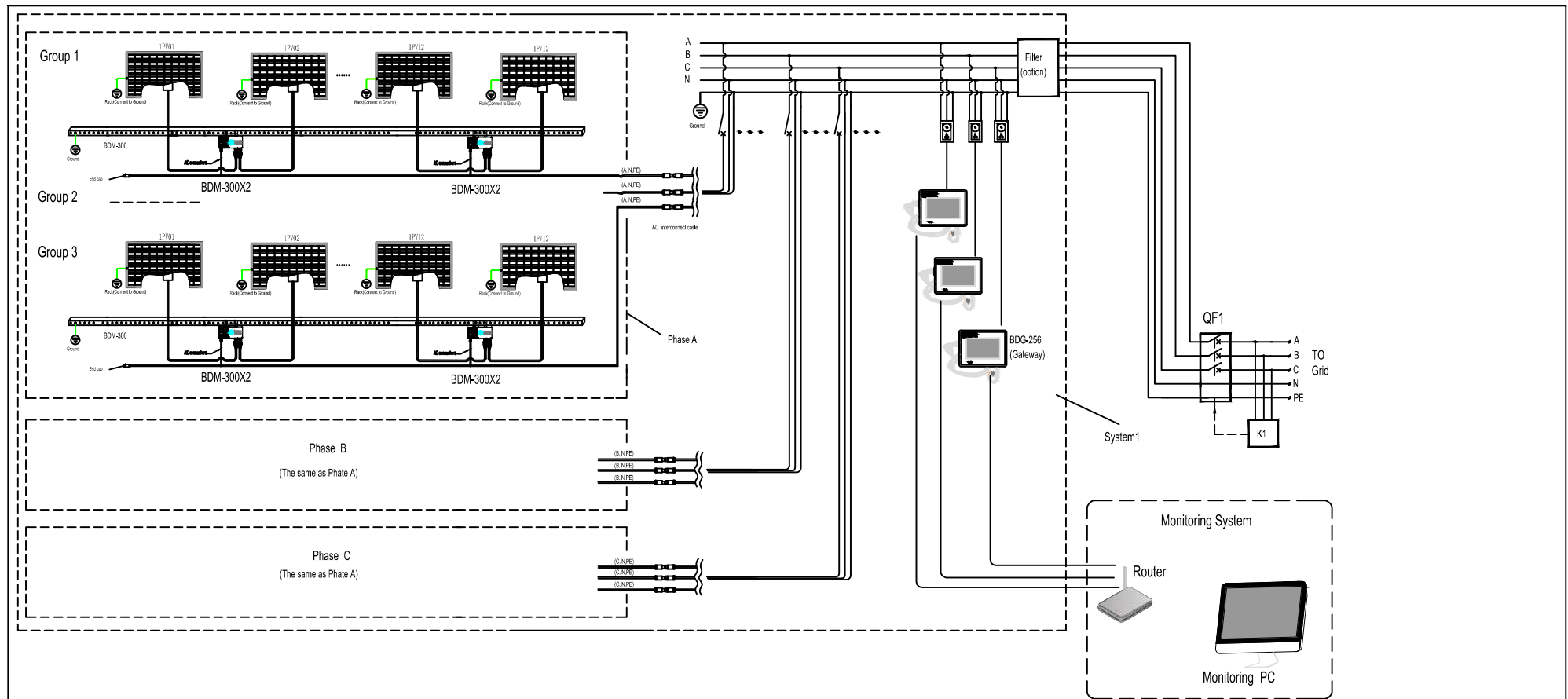
WIRE COLOR

	Europe	Australia
A/B/C	Brown	Red
N	Blue	Black
PE	Green/Yellow	

- K1: Grid feeder protection relay protection levels and trip time set according to utility requirement
- QF1: three phase circuit breaker controlled by the protection relay

Quantity :		Material :			
Designed by :	Checked by :	Approved by :	Date :	Edition :	Scale :
				Title : PV Sytem	
				Drawing number :	Sheet 1 of 1

BDM-600 Wiring Diagram, Three phase for Australia



WIRE COLOR

1. K1: Grid feeder protection relay
protection levels and trip time set according to utility requirement
2. QF1: three phase circuit breaker
controlled by the protection relay

	Europe	Australia
A/B/C	Brown	Red
N	Blue	Black
PE	Green/Yellow	

Quantity :		Material :				
Designed by :	Checked by :	Approved by :	Date :	Edition :	Scale :	
			Title : PV Sytem			
			Drawing number :		Sheet 1 of 1	