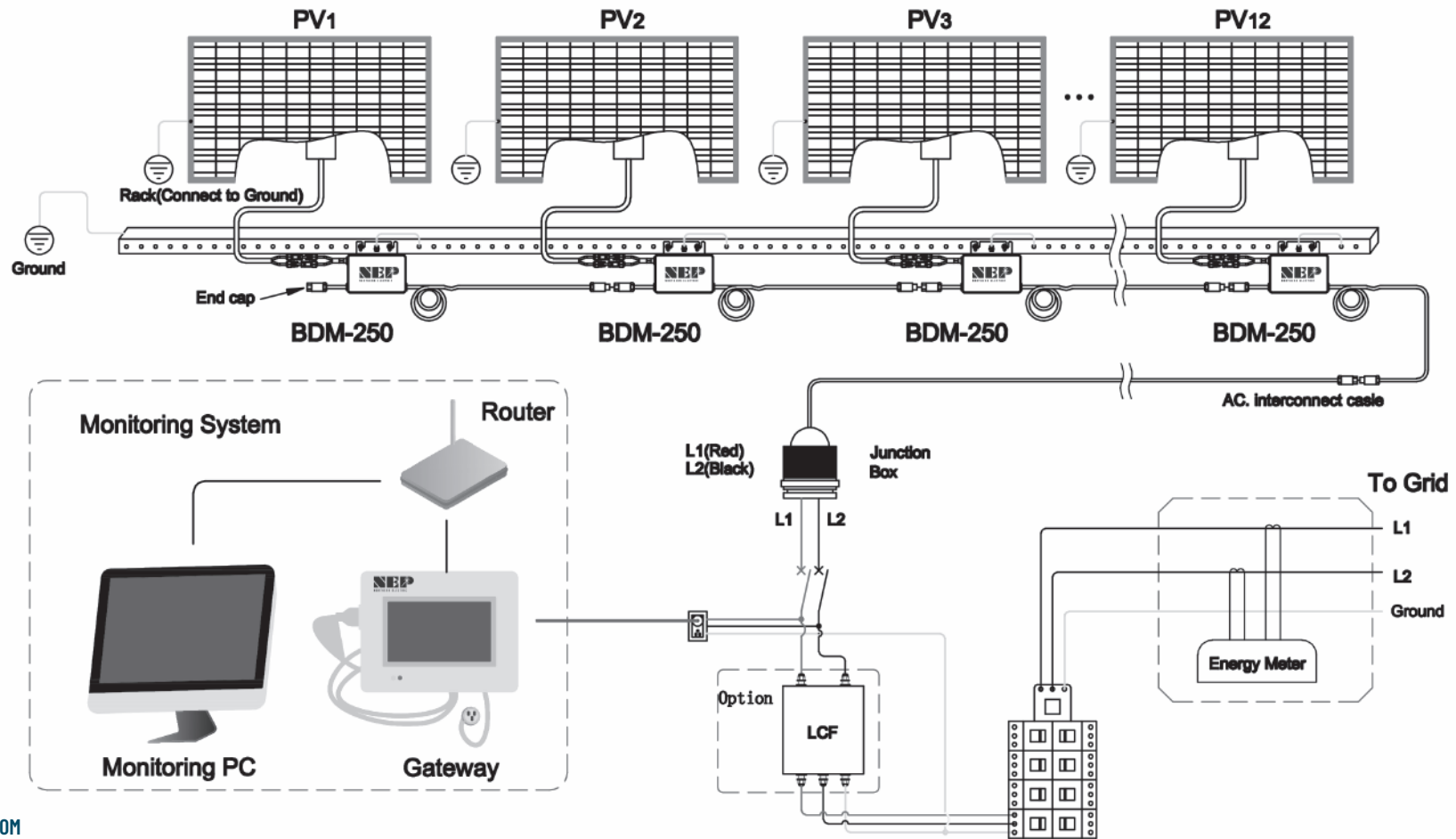


BDM-250 Wiring Diagram, Single phase for U.S.



3kW PV System BOM

Specification	Description	Quantity
250W PV module	PV PANELS	12
BDM-250-240A	250W Micro Inverter w/ attached AC cables and accessories	12
BDG-256	Communication Gateway w/ BDG-256-PC-NA power cord	1
LCF(Line Communications Filter)		option
AC interconnect cable	16 feet AC cable w/ female conector	1
End cap	male end cap	1

Quantity:		Material:			
Designed by:	Checked by:	Approved by:	Date:	Edition:	Scale:
				Title: 3kW PV System	
				Drawing number:	